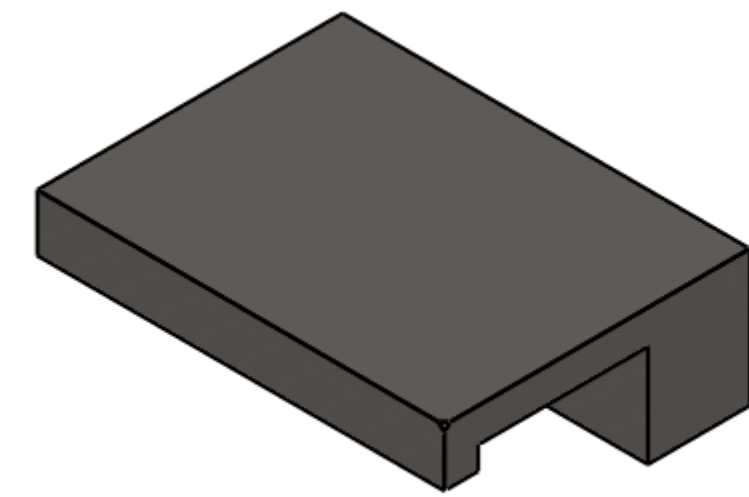
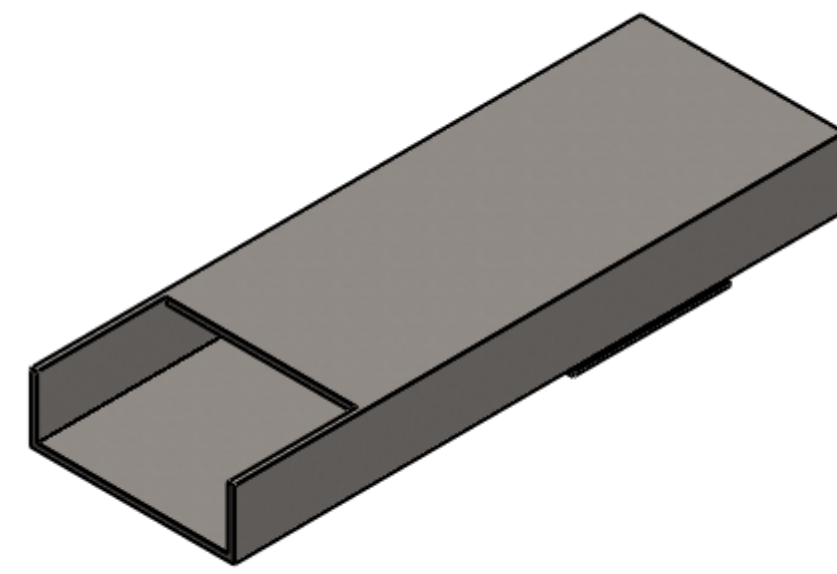


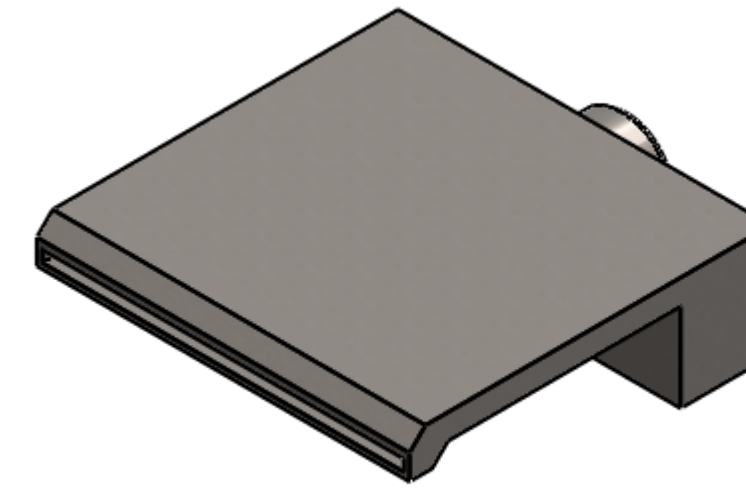
CHANNEL SPOUTS



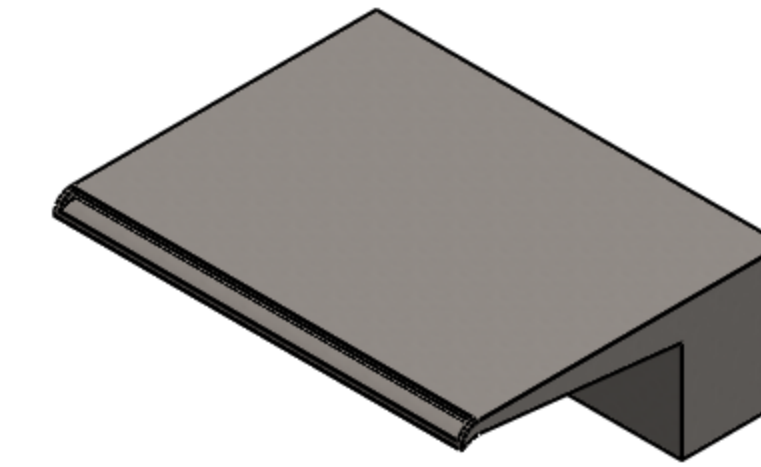
90° CURTAIN FALLS



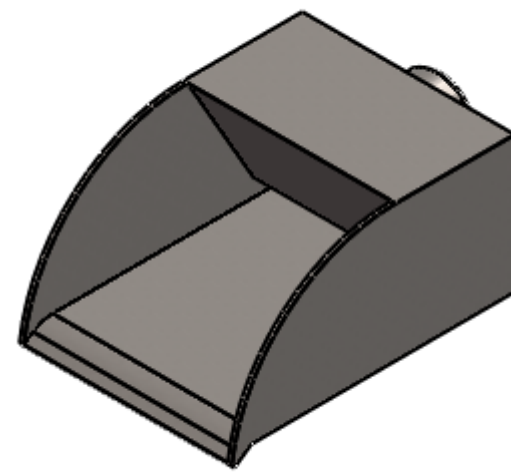
Legacy Scupper



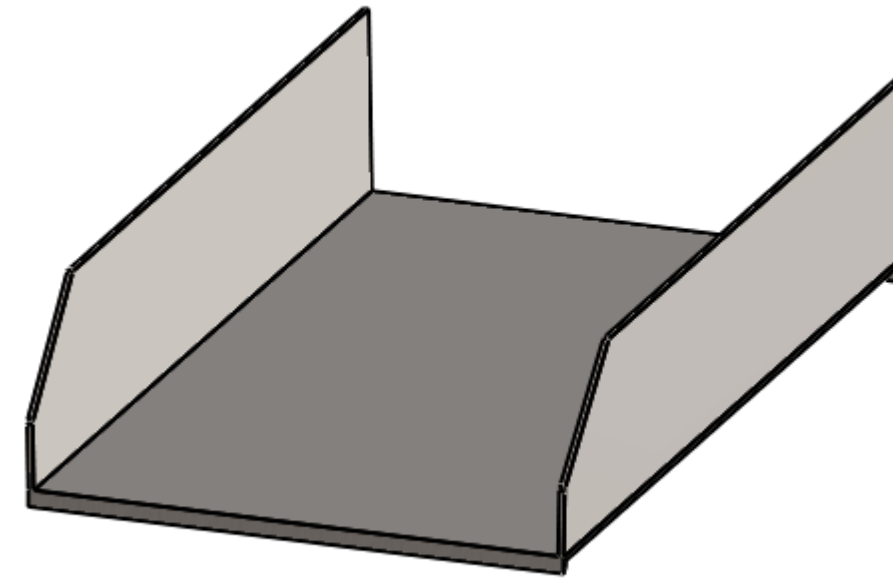
Sheet Flow Scuppers



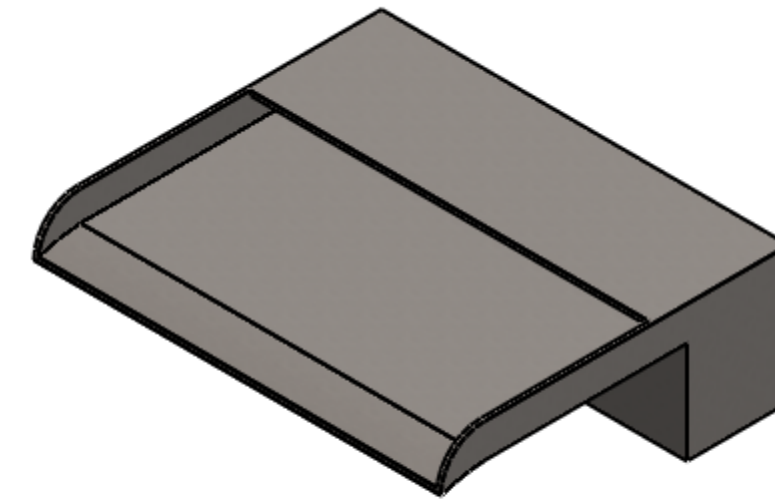
Sheeting Waterfall 2000 Series



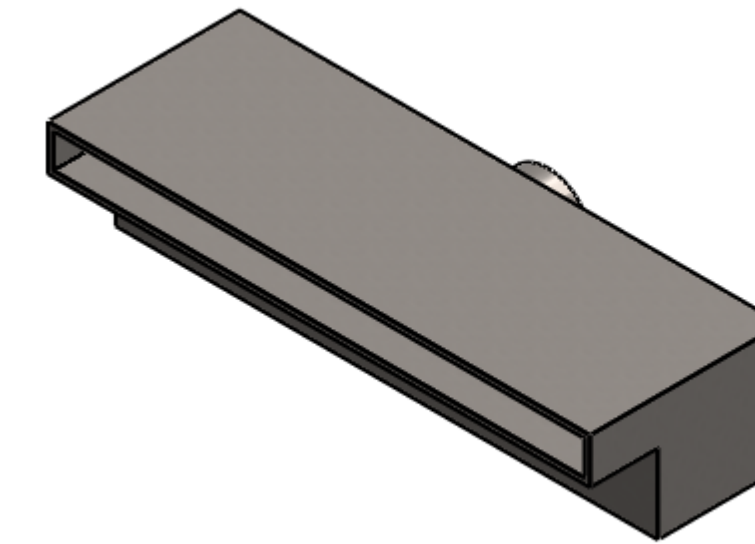
Trough Scuppers



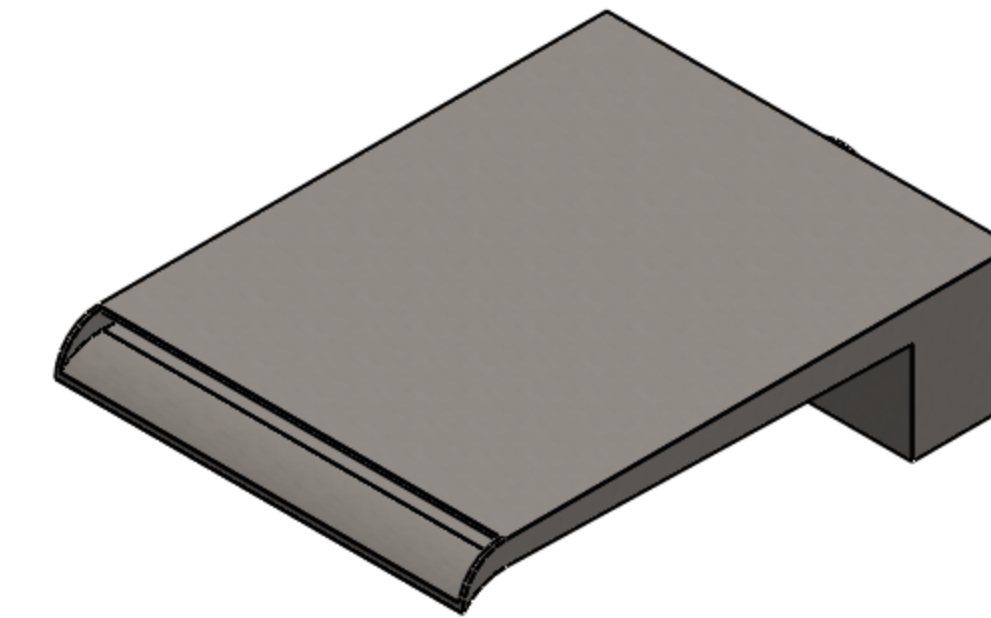
Flat Scuppers



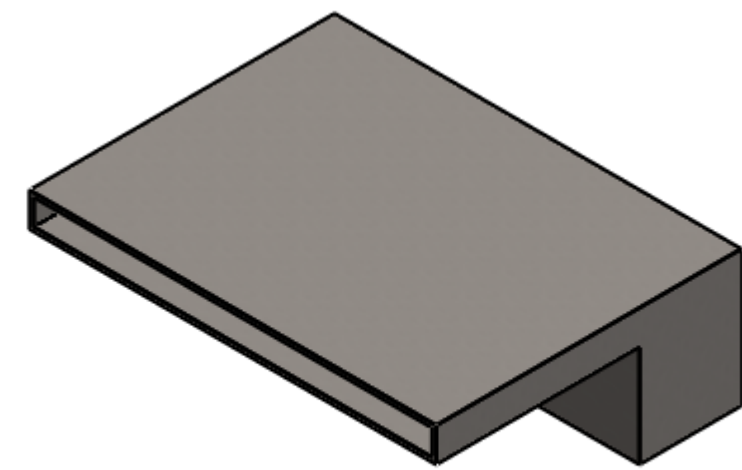
Opentop Waterfall



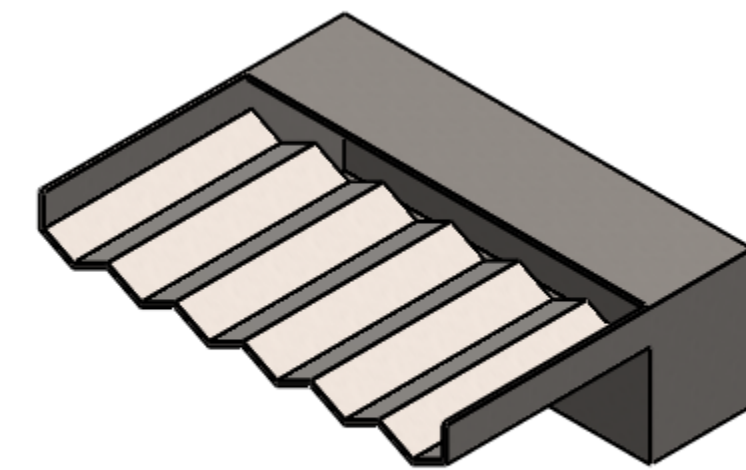
Rainfall 1000 Series



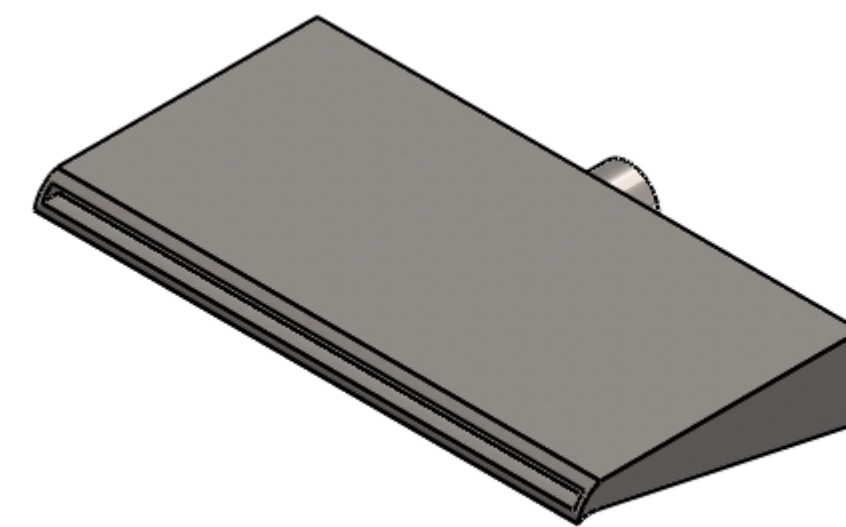
Sheeting Waterfall 3000 Series



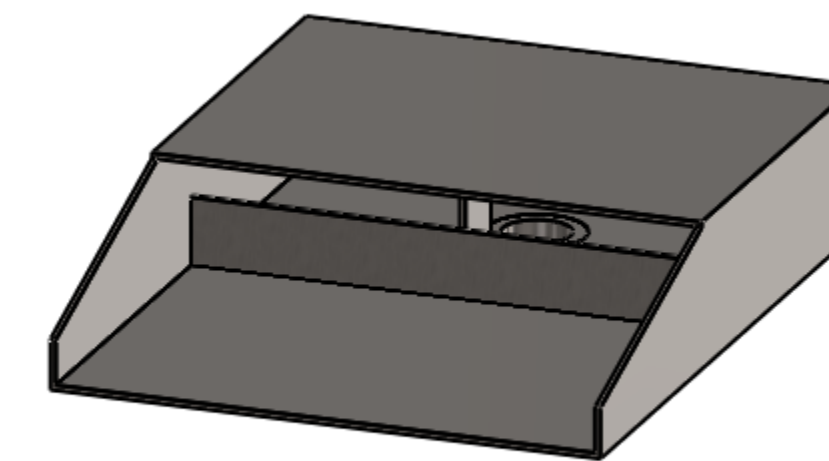
RainCurtain 2000 Series



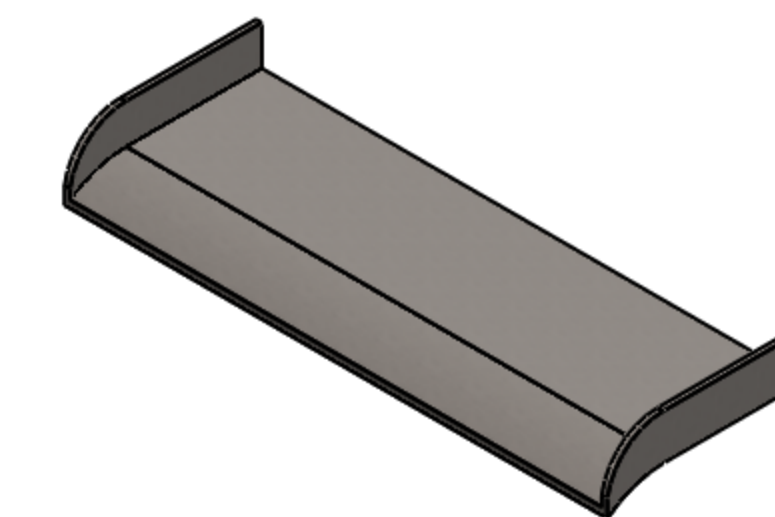
RiverFall Scuppers



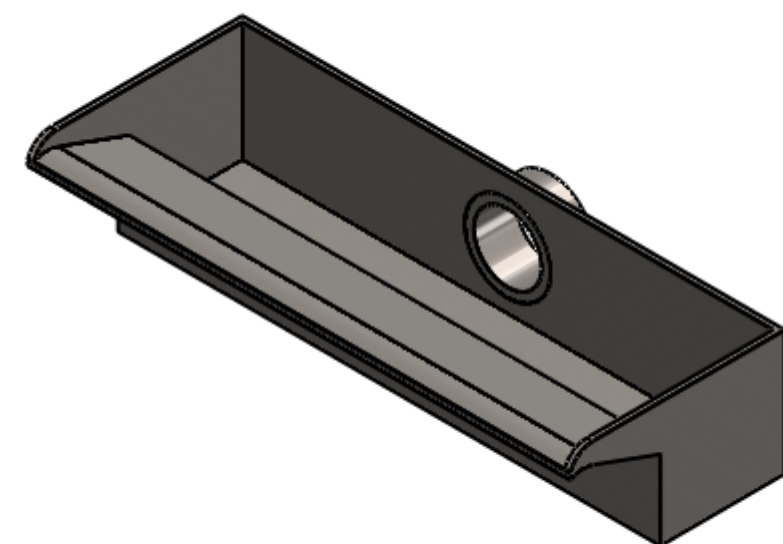
Sheet Scuppers



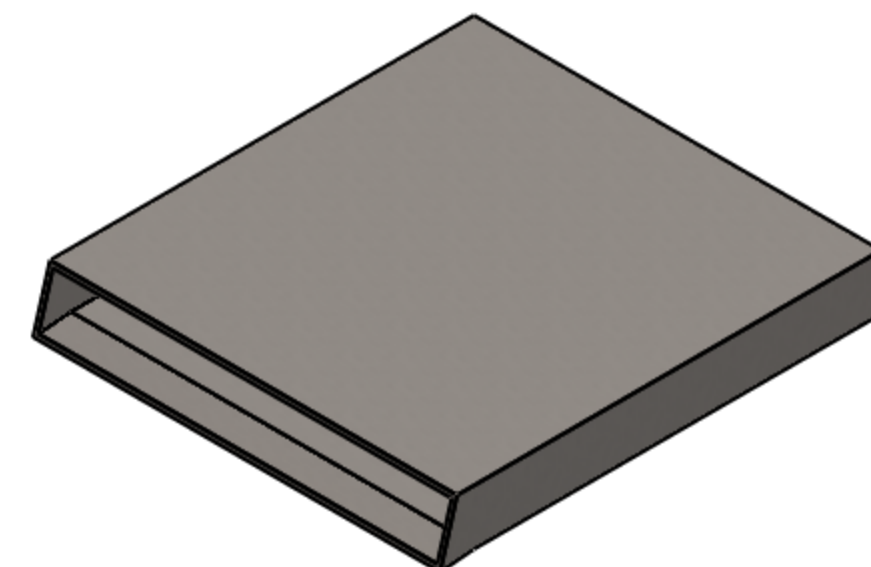
Open Fall Scuppers



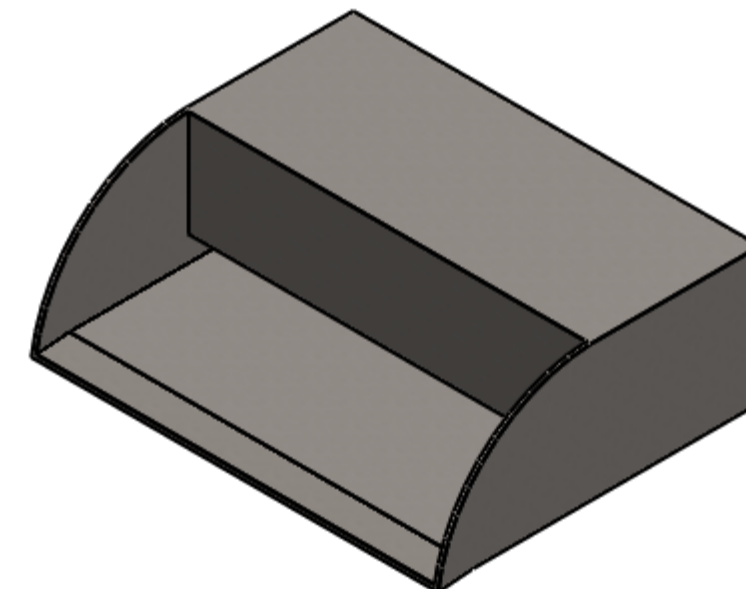
Spill Edge Scuppers



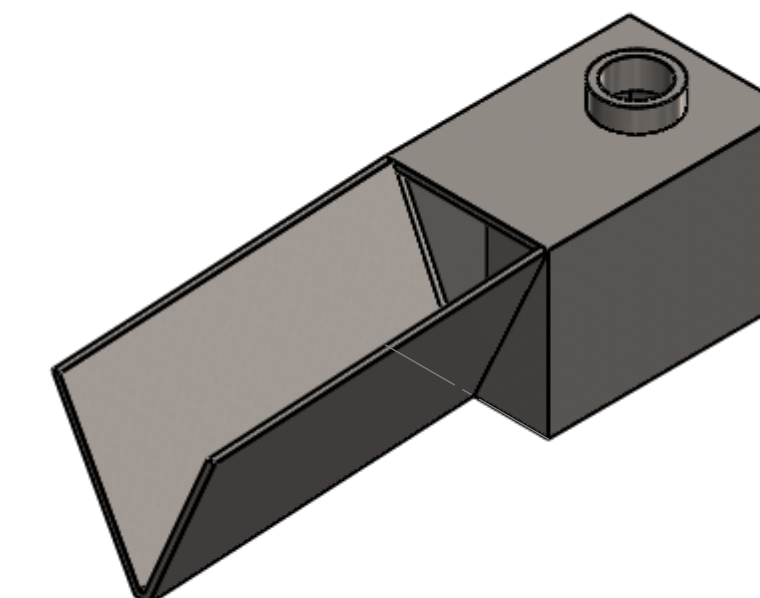
Sheeting Waterfall 3000 Series



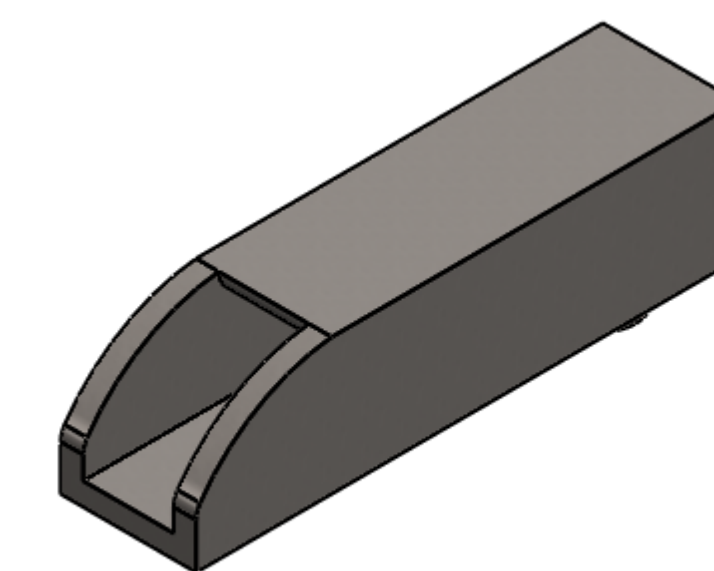
Spill Way Scuppers



Step Scuppers



"V" Style Scuppers



Tube Style Scuppers

NOTES:

- AVAILABLE MATERIAL: ABS PLASTIC OR TYPE 304 STAINLESS STEEL
- STANDARD INLET SIZE IS 1 1/2" ON BACKSIDE
- CONSULT MANUFACTURER FOR CUSTOM SIZES AND OPTIONS

THIS DRAWING IS THE PROPERTY OF DELTA FOUNTAINS & MAY NOT BE USED WITHOUT WRITTEN PERMISSION FROM DELTA FOUNTAINS

DELTA FOUNTAINS
 SCUPPERS STYLES

SHEET TITLE:

DATE: 2015.01.23
 DRAWN BY: TJN
 CHECKED: SJ

REVISIONS

PROJECT NUMBER	SHEET NUMBER
A2315	SCUPPERS