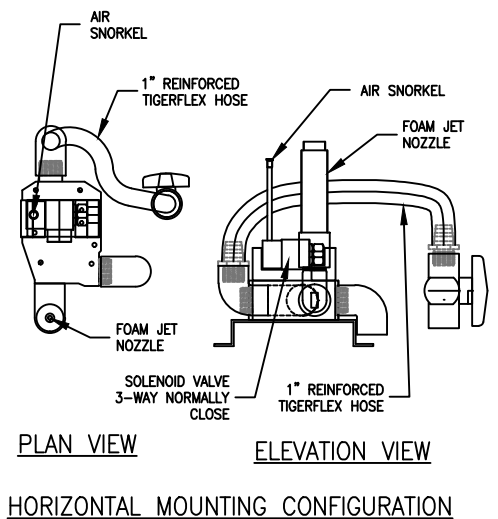


SPECIFICATION DATA
 NOZZLE IS HEAVY DUTY MACHINED SYNTHETIC CONSTRUCTED WITH GRAY FINISH. FILTERED WATER SUPPLY REQUIRED, RECOMMENDED 500 MICRON/35MESH

PART NUMBER	INLET (X)	DRAIN OUTLET (Y)	SUMP DIMENSION								
			A	B	C VARY	D VARY	E VARY	F VARY	G		
DFPJN-AF-100	1"	2"	4"	3"	1'	2'-8 1/2"	1'-6"	1'-4 1/2"	4"		
DFPJN-AF-150	1 1/2"	3"	4"	3"	1'	2'-8 1/2"	1'-6"	1'-4 1/2"	4"		
PART NUMBER	INLET N.P.T.	NOZZLE DIMENSION									
		H	I	J	K	L	M	N	O	P	
DFPJN-AF-100	1"	2"	6 11/16"	7 3/16"	1 1/4"	1 3/4"	31/32	3/4"	2"	39/64"	
DFPJN-AF-150	CONSULT MANUFACTURER										

PART NUMBER	SPRAY HEIGHT G.P.M. HEAD	2'	3'	4'	5'	6'	7'	8'	10'
		DFPJN-AF-100	7	10	12	12.5	15	17	19
		14'	18.5'	25.5'	30'	35'	40'	51'	65'
DFPJN-AF-100	CONSULT MANUFACTURE FOR PERFORMANCE REQUIREMENTS								

VOLTAGE
12 VAC
INRUSH CURRENT
1.27 A
HOLDING CURRENT
.75 A



NOTE: CUT SHEET FOR FOAM JET NOZZLE ONLY.

DELTA FOUNTAINS
 11494 COLUMBIA PARK DR.
 WEST SUITE #4
 JACKSONVILLE, FL 32258

V. (904) 886-9030
 F. (904) 886-9089

ARCHITECTURAL & FLOATING FOUNTAINS

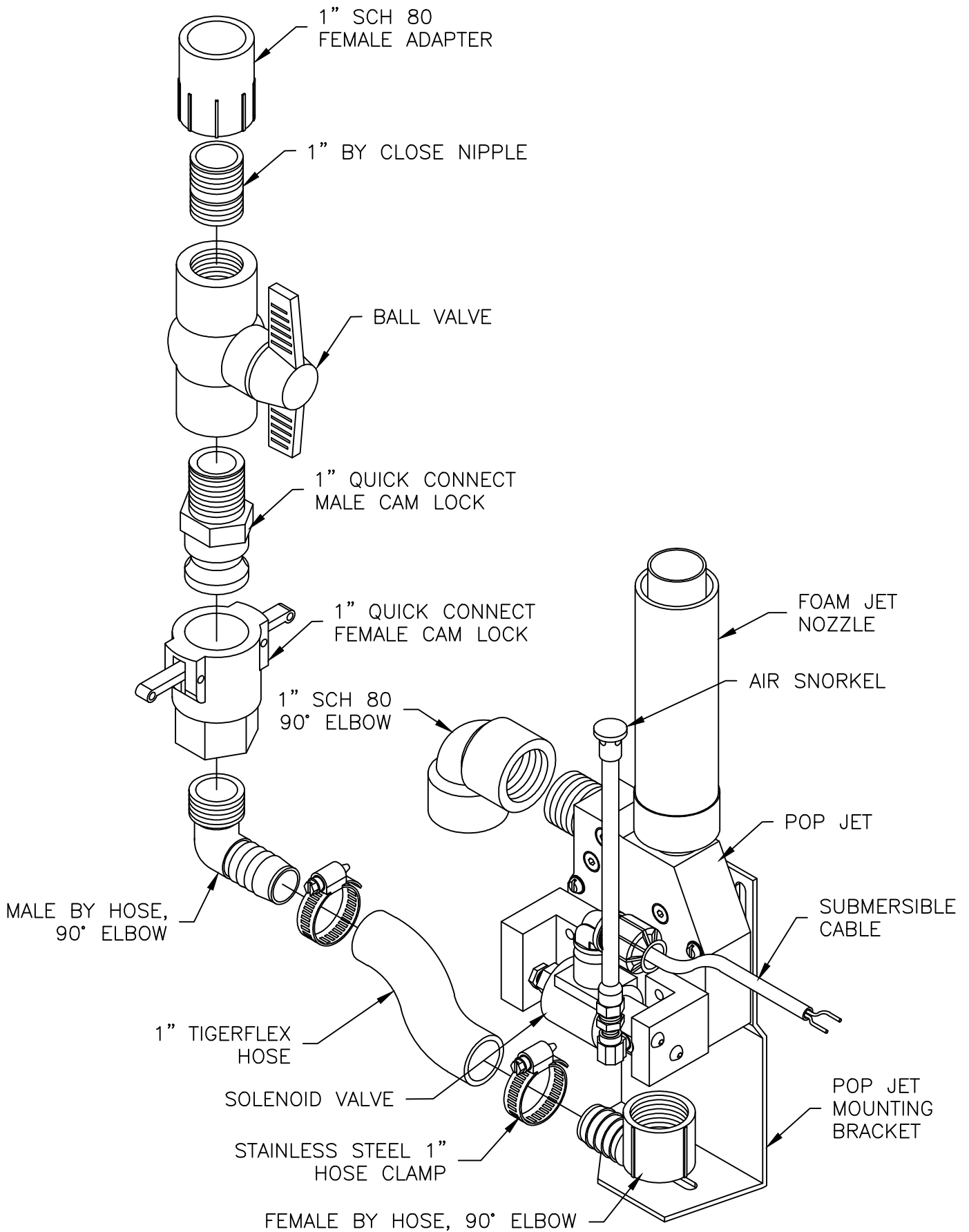
consulting design manufacturing

POP JET ASSEMBLY WITH FOAM JET NOZZLE

DATE: 02/09
 DRAWN BY: CJB
 REVISIONS
 08/09 CJB
 2013/08/04 CJB
 2015/07/13 CJB

SHEET NUMBER

N-DFPJN-AF-S





Printed: Jul 13, 2015 - 1:47pm by DELTA

DELTA FOUNTAINS
 11494 COLUMBIA PARK DR.
 WEST SUITE #4
 JACKSONVILLE, FL 32258

V. (904) 886-9030
 F. (904) 886-9089

ARCHITECTURAL &
 FLOATING FOUNTAINS

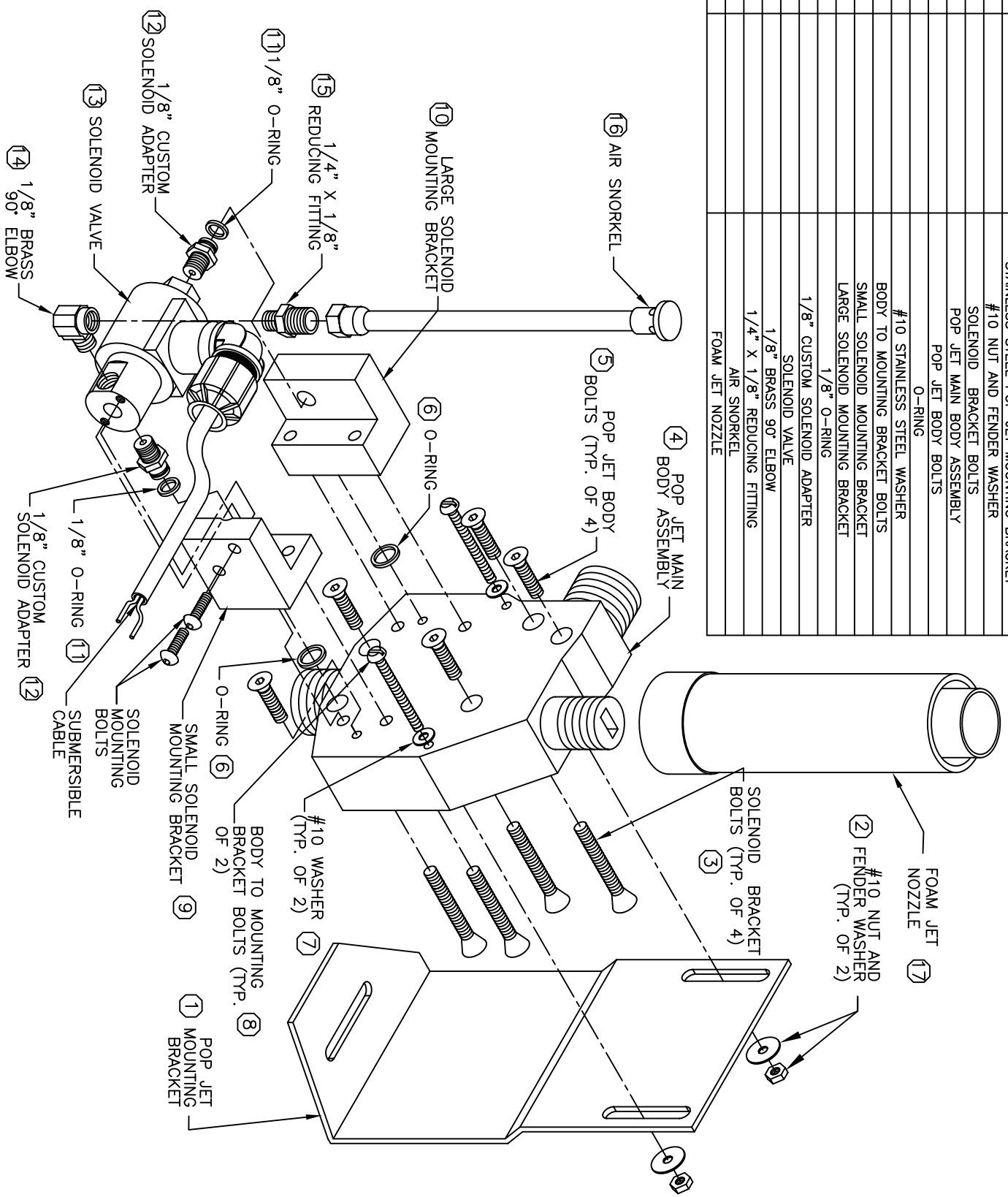
consulting  design  manufacturing

**POP JET PLUMBING
 ASSEMBLY WITH
 FOAM JET NOZZLE**

DATE: 02/09
 DRAWN BY: CJB
 REVISIONS
 08/09 CJB
 08/10 CJB

SHEET NUMBER
 N-DFPJN-AF-AS

TAG #	QTY	REPLACEMENT PART #	DESCRIPTION
1	(1)		STAINLESS STEEL POP JET MOUNTING BRACKET
2	(2)		#10 NUT AND FENDER WASHER
3	(4)		SOLENOID BRACKET BOLTS
4	(1)		POP JET MAIN BODY ASSEMBLY
5	(4)		POP JET BODY BOLTS
6	(2)		O-RING
7	(2)		#10 STAINLESS STEEL WASHER
8	(2)		BODY TO MOUNTING BRACKET BOLTS
9	(1)		SMALL SOLENOID MOUNTING BRACKET
10	(1)		LARGE SOLENOID MOUNTING BRACKET
11	(2)		1/8" O-RING
12	(2)		1/8" CUSTOM SOLENOID ADAPTER
13	(1)		SOLENOID VALVE
14	(1)		1/8" BRASS 90° ELBOW
15	(1)		1/4" X 1/8" REDUCING FITTING
16	(1)		AIR SNORKEL
17	(1)		FOAM JET NOZZLE



POP JET PLUMBING ASSEMBLY WITH FOAM JET NOZZLE

DATE: 02/09
 DRAWN BY: CJB
 REVISIONS
 08/09 CJB
 08/10 CJB
 SHEET NUMBER

N-DFPJN-AF-PL

DELTA FOUNTAINS
 11494 COLUMBIA PARK DR.
 WEST SUITE #4
 JACKSONVILLE, FL 32258

V. (904) 886-9030
 F. (904) 886-9089

ARCHITECTURAL &
 FLOATING FOUNTAINS

consulting design manufacturing